

# EQP-4501 FULL SIZE COOKER/WARMER INSTRUCTION MANUAL

## WARNINGS

- Do not touch any hot surfaces
- Do not immerse unit, cord or plug in liquid at any time
- Unplug cord from outlet when not in use and before cleaning
- Plug only into a 3-hole grounded electrical outlet of appropriate voltage
- Do not operate unattended
- Do not use this unit for anything other than intended use
- Do not use outdoors
- Always use on a firm, dry and level surface at least 12" from walls or any other obstruction
- Do not use if unit has a damaged cord or plug, in the event the appliance malfunctions, or has been damaged in any manner
- Keep children and animals away from unit
- Any incorrect installation, alterations, adjustments and/or improper maintenance can lead to property loss and injury. All repairs should be done by authorized professionals only.
- Ensure that the designated power supply is adequate for continual usage and the voltage is correct
- NEVER operate this unit without water

**IMPORTANT NOTICE** – TURN SWITCH TO THE MAXIMUM HEAT SETTING FOR 30 MINUTES TO PREHEAT. AFTER 30 MINUTES TURN THE DIAL BACK TO KEEP FOOD WARM.

## TO USE

1. Make sure the power supply you are using is adequate.
2. Fill the well with 4 quarts of water. (Do not fill with more than 4 quarts. If the water level is too high, water may overflow when the food pan is inserted. Overflow will enter the electrical compartment and cause a short circuit or electrical shock).
3. Plug the cord into a three hole grounded electrical outlet of appropriate voltage.
4. Preheat the water in the well by covering the well with an empty food container or cover. Set the heat control to the maximum heat setting. Preheat for 30 minutes.
5. Place stainless steel food pan containing food into the food warmer.
6. Reduce the setting of the knob by  $\frac{1}{4}$  and monitor food temperatures closely for food safety. The United States Public Health Service recommends that food be held at a minimum of 140° F (and/or in compliance with local health codes) to prevent bacteria growth. Maintain water level at 4 quarts. Periodically, (approximately every 2 hours) remove food pan and check the water level. Add hot water if needed and adjust up or down as required by the food type.

HOT WATER AND STEAM IN THE WELL CAN SEVERELY BURN SKIN. USE PROTECTIVE GLOVES, MITTS OR POTHOLDERS WHEN REMOVING FOOD CONTAINERS OR COVERS. HOT FOOD CAN ALSO CAUSE BURNS. HANDLE FOOD CAREFULLY.

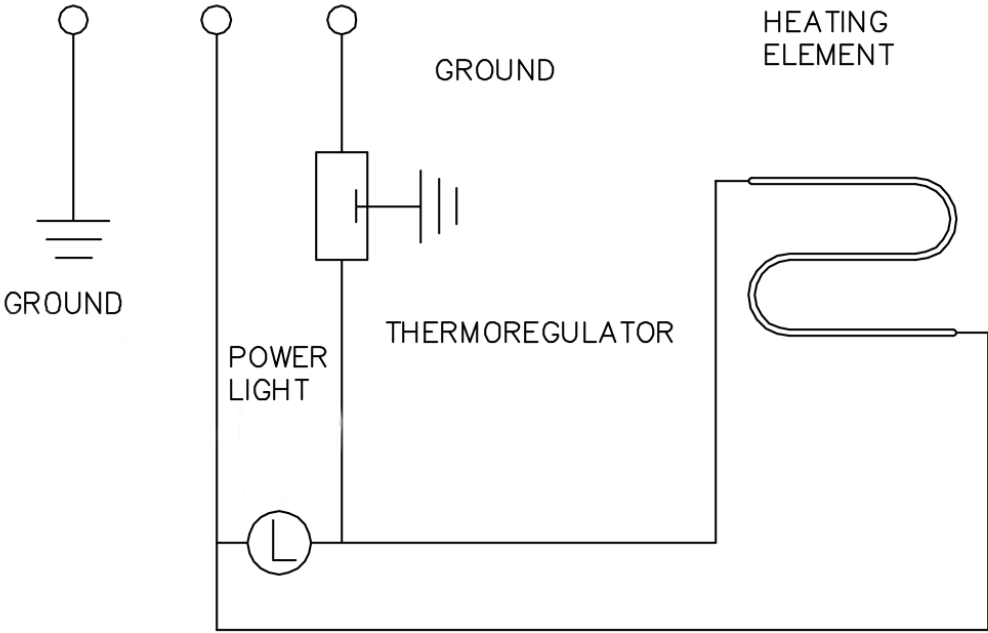
**CLEANING - NOTE:** To maintain cleanliness and increase service life, the food warmer should be cleaned daily. Do not immerse the food warmer in water or any other liquid, if liquid enters the electrical compartment it may cause a short circuit or electrical shock.

1. Before cleaning or attempting to move food warmer, unplug and let the unit cool completely.
2. Carefully empty the water from the well.
3. Wipe the entire unit with a clean soft cloth until it is completely dry.
4. To avoid damage to the well, do not use abrasive cleaners or scouring pads.
5. If soap or chemical cleaners are used, be sure they are completely rinsed away with clean water immediately after cleaning. Chemical residue could damage or corrode the surfaces of the unit.

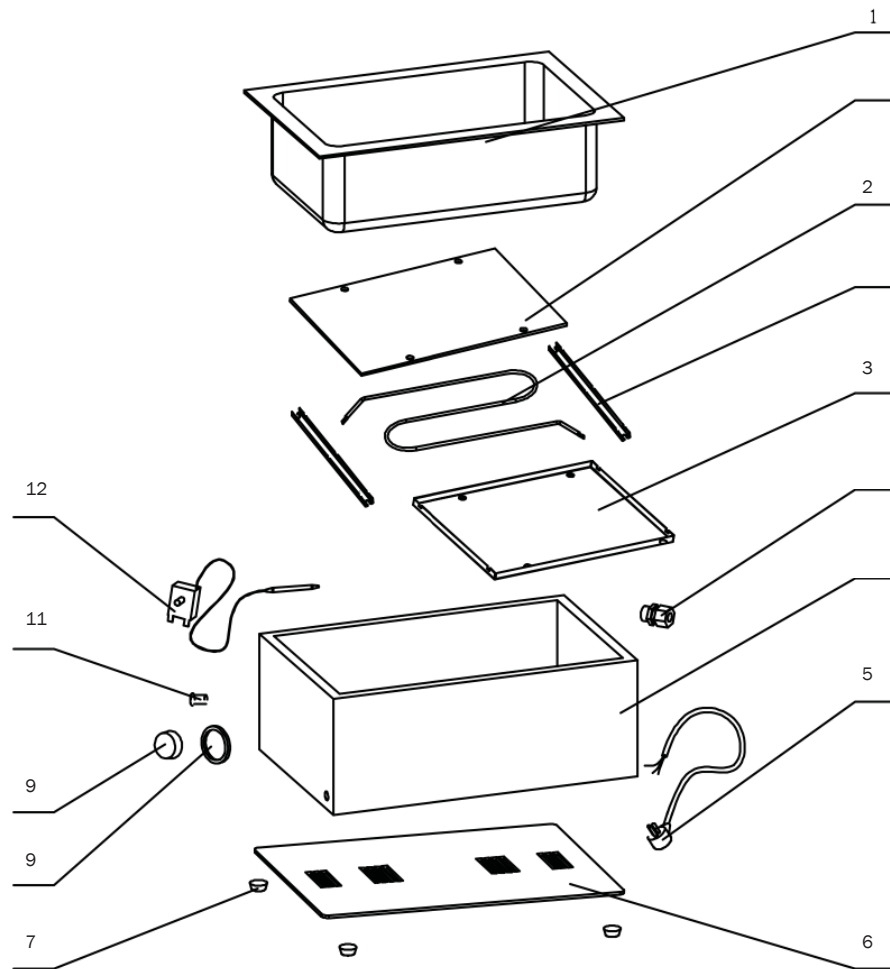
There are no serviceable parts within this appliance. To avoid serious injury or damage, never attempt to repair the food warmer or replace a damaged cord yourself. Contact a professional repair service.

---

Wiring Diagram for the Full Size Cooker/Warmer



## Parts Diagram and Replacement Parts for the Full Size Cooker/Warmer



Reference Number	Description
1	Water Pan
2	Heating Element
3	Reflector Pan
5	Power Cord and Strain Relief
6	Bottom Cover
7	Rubber Foot
8	Shell
9	Temperature Knob
11	Indicator Light - Red
12	Thermostat
13	Stand
14	Limiting Thermostat Stand
15	Limiting Thermostat